

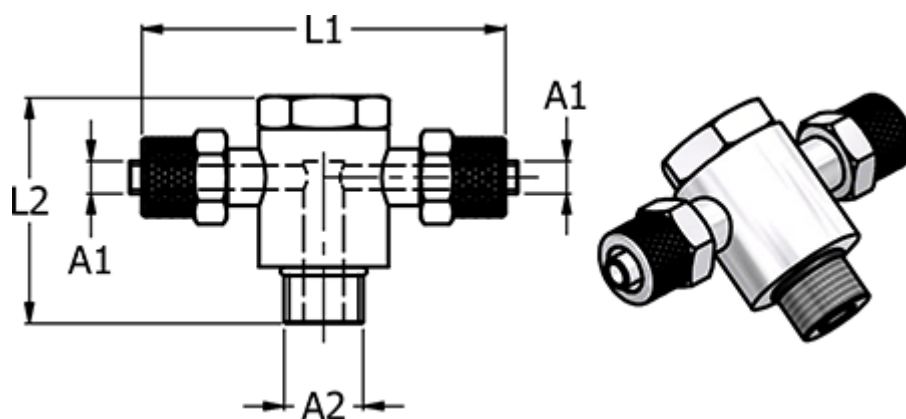
Data Sheet



Article number: 586142146

Description: Push-on fitting 14.214-6, metal $\text{Ø}6/4\text{-G } 1/4\text{'-Ø}6/4$
Banjo Tee

Measures



Hose diameter A1	= 6/4
L1	= 53.0
L2	= 33.0
NV	= 17
Thread A2	= G 1/4"